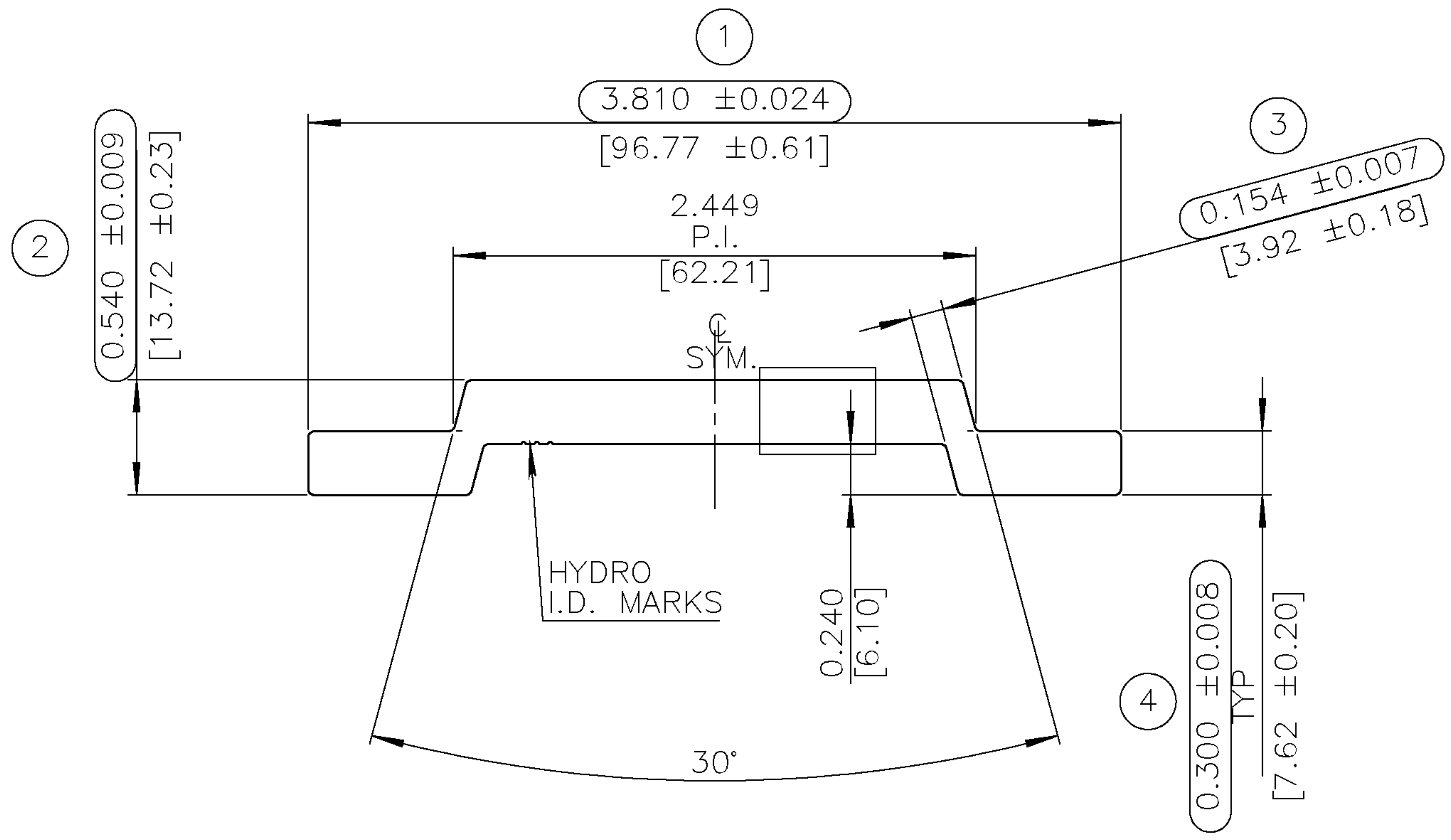


PART NO. —		DIE NO. AS-80305	DASH 1
DESCRIPTION: —		TARRIF#7604.29.10.00	PROPOSAL# —
DATE	SYM	DESCRIPTION	BY

NOTE:
MODIFIED VERSION OF DIE AS-70474



NO SURFACES EXPOSED

□ = PULL TEST SAMPLE

BREAK CORNERS = 0.031 (0.79) R.



UNSPECIFIED WALL THICKNESS

SEE ABOVE

EST. AREA 1.180 IN ² 761 MM ²	OUT PER. 8.882 IN 226 MM
EST. WT. 1.416 LBS/FT. 2.107 KG/M	FACTOR 6
EST. PER. 8.882 IN 226 MM	C.C.D. 3.818 IN 97 MM
DWN BY V.P.	ALLOY 6061 T6
SCALE 1:1	DATE 30NOV2022

BREAK ALL CORNERS .016"R (0.41 mm)R UNLESS OTHERWISE NOTED.

STANDARD ALUMINUM ASSOCIATION TOLERANCES TO APPLY UNLESS OTHERWISE SPECIFIED