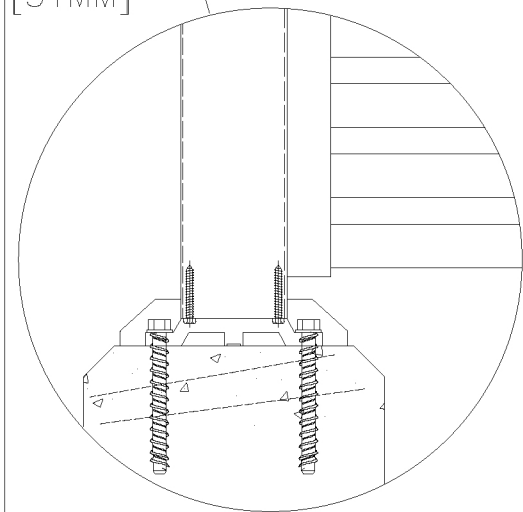


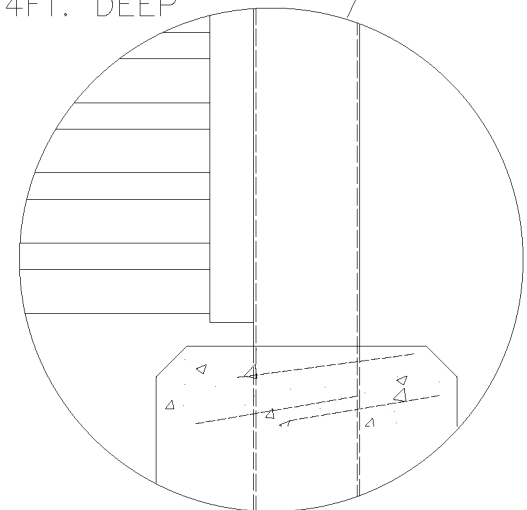
2.0"  
[51MM]



TOP MOUNTED ON  
CONCRETE OR WOOD

PLATE WITH  
SCREWS OR  
WELDED

FINISHED GRADE  
POST EMBEDDED  
IN CONC. MIN.  
4FT. DEEP



EMBEDDED IN CONCRETE OR  
WITH CONCRETE FORMING TUBES

- \* POST SIZE WILL BE DETERMINED BY GATE WEIGHT AND HEIGHT
- \* HEAVY DUTY HINGES ARE STANDARD AS PER GATE SIZE
- \* HINGES DECIDED BASED ON WEIGHT OF GATE.
- \* OVER 6'H X 6'W GATES MUST BE WELDED
- \* WELDED GATES CAN WORK WITH AUTOMATION

SPECIFICATIONS:

POSTS, RAILS: EXTRUDED MARINE 6063-T5 PRIME  
& PICKETS ALUMINUM, CANADIAN PRODUCED

FINISH: SEVEN STAGE ARCHITECTURALLY  
CERTIFIED PRETREATMENT AS PER  
AAMA 2604

POSTS: 76mm x 76mm (3"X3") .0650 WALL = MEDIUM DUTY  
102mm x 102mm (4"X4") .250 WALL = HEAVY DUTY  
152mm x 152mm (6"X6") .250 WALL = VERY HEAVY DUTY

POSTS CAPS: PYRAMID OR FLAT

PRIVACY GATE: CORRUGATED ALUMINUM OR ALUMINUM SLAT FENCE  
OTHER OPTIONS AVAILABLE: 1", 2", 3", 5"

ALL GATE STYLES AVAILABLE IN:

1. ALUMINUM HORIZONTAL & VERTICAL SLATES (FULLY & SEMI PRIVACY AVAILABLE)
2. ALUMINUM CORRUGATED - VERTICAL AND HORIZONTAL
3. ALUMINUM PICKET GATES IN VARIOUS STYLES
4. ALUMINUM FRAME WITH VINYL BOARDS EITHER HORIZONTAL OR VERTICAL

GATE DESIGN AND CONFIGURATION MAY CHANGE DUE TO SIZE AND WEIGHT

\*NOTE: FOR CLEAN AND SEAMLESS FINISH, NO FASTENERS ARE EXPOSED.

COMMENTS:



TITLE:

DRAWING No.

CHK'D:

DATE: