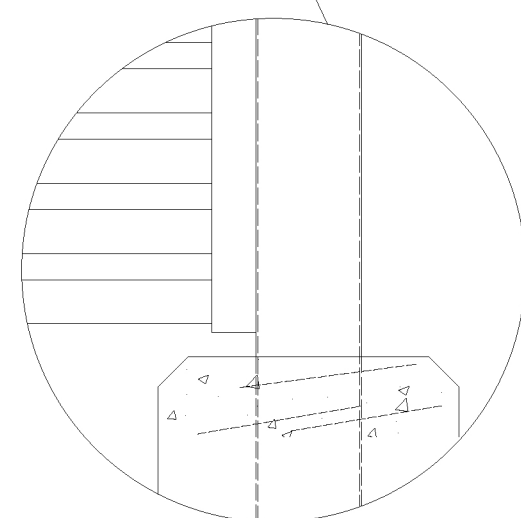


TOP MOUNTED ON CONCRETE OR WOOD

PLATE WITH SCREWS OR WELDED

- * DOREX 8500F SERIES RIM EXIT DEVICE WITH 8000 PUSH PAD ATTACHED TO GATE OR SIMILAR
- * POST SIZE WILL BE DETERMINED BY GATE WEIGHT AND HEIGHT
- * HEAVY DUTY HINGES ARE STANDARD AS PER GATE SIZE
- * HINGES DECIDED BASED ON WEIGHT OF GATE.
- * OVER 6'H X 6'W GATES MUST BE WELDED
- * WELDED GATES CAN WORK WITH AUTOMATION



EMBEDDED IN CONCRETE OR WITH CONCRETE FORMING TUBES

SPECIFICATIONS:

POSTS, RAILS: EXTRUDED MARINE 6063-T5 PRIME ALUMINUM, CANADIAN PRODUCED
& PICKETS

FINISH: SEVEN STAGE ARCHITECTURALLY CERTIFIED PRETREATMENT AS PER AAMA 2604

POSTS: 76mm x 76mm (3"X3") .065 WALL = MEDIUM DUTY
102mm x 102mm (4"X4") .250 WALL = HEAVY DUTY
152mm x 152mm (6"X6") .250 WALL = VERY HEAVY DUTY

POSTS CAPS: PYRAMID OR FLAT

PRIVACY GATE: CORRUGATED ALUMINUM OR ALUMINUM SLAT FENCE
OTHER OPTIONS AVAILABLE: 1", 2", 3", 5"

ALL GATE STYLES AVAILABLE IN:

1. ALUMINUM HORIZONTAL & VERTICAL SLATES (FULLY & SEMI PRIVACY AVAILABLE)
2. ALUMINUM CORRUGATED - VERTICAL AND HORIZONTAL
3. ALUMINUM PICKET GATES IN VARIOUS STYLES
4. ALUMINUM FRAME WITH VINYL BOARDS EITHER HORIZONTAL OR VERTICAL

GATE DESIGN AND CONFIGURATION MAY CHANGE DUE TO SIZE AND WEIGHT

*NOTE: FOR CLEAN AND SEAMLESS FINISH, NO FASTENERS ARE EXPOSED.

COMMENTS:

	TITLE:	DRAWING No.
	CHK'D:	DATE: